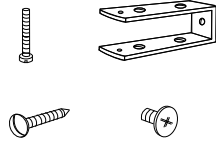


Retro Wood Venetian Blind Fitting Instructions

Please find enclosed appropriate brackets and screws for either top fix or face fix

1. Fixings

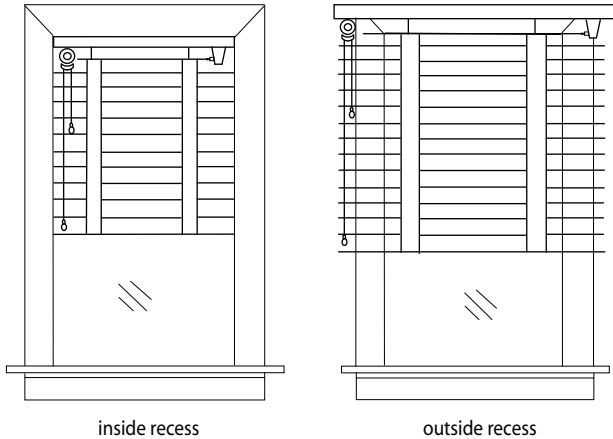
2 x brackets (2 for every metre)
2 x screws per bracket



2. Methods of fitting

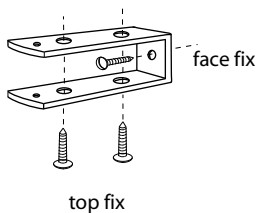
Your blinds were made to be fitted outside the recess or inside the recess. Please follow the instructions that apply to your blind.

For recess blinds a 10mm deduction will be made for ease of fitting.



3. Mounting the brackets

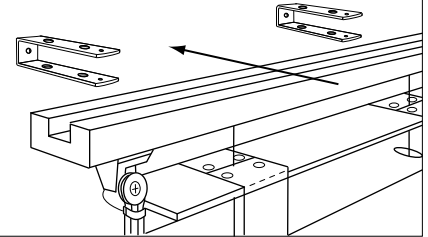
The mounting brackets may be mounted using the screws provided in several different orientations depending on your needs - see illustration below.



4. Attaching blind

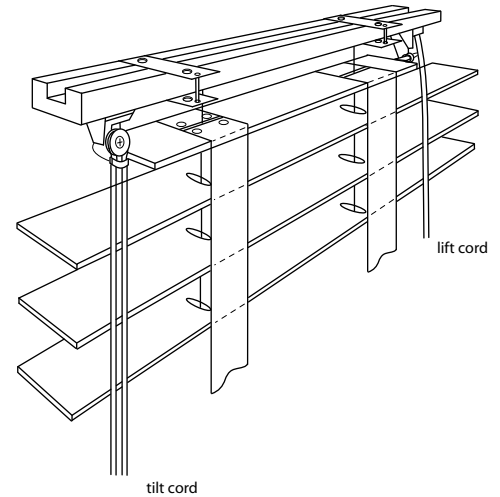
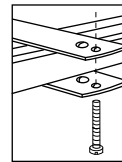
First measure headrail, then mark the area where you intend to fit, making sure it does not obstruct any moving parts of the blind, then screw brackets in place.

Illustration A



5. Securing blind

When brackets are in place slide headrail into the brackets horizontally. Secure with screws provided - see illustrations A and B.



6. Operating the blind

Tilt (Single Cord Acorn)

To tilt your slated blind pull either of the single acorn cords.

Raise or Lower (Multi-cord Acorn)

Slat's should be fully open, not tilted when raising or lowering.
To raise the blind pull the cord straight down.
To lower the blind pull the cords towards the centre of the blind and slowly raise your hand while holding on to the cords.
Move the cord back to the vertical position and the cord lock holds the blind in position.



WARNING

PARENTS SHOULD KNOW THAT CHILDREN COULD ACCIDENTALLY STRANGLE IN WINDOW COVERING CORDS.
KEEP CORDS OUT OF THE REACH OF CHILDREN

Any queries do not hesitate to call 01843 608780