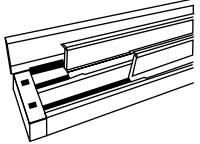
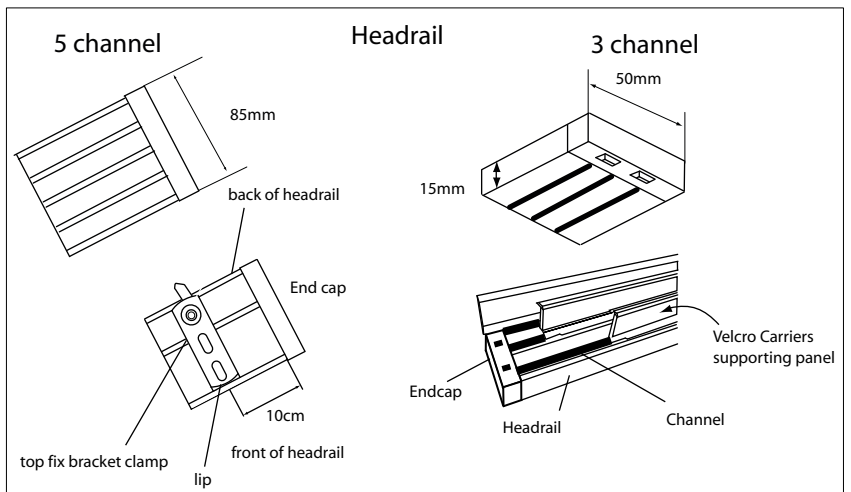
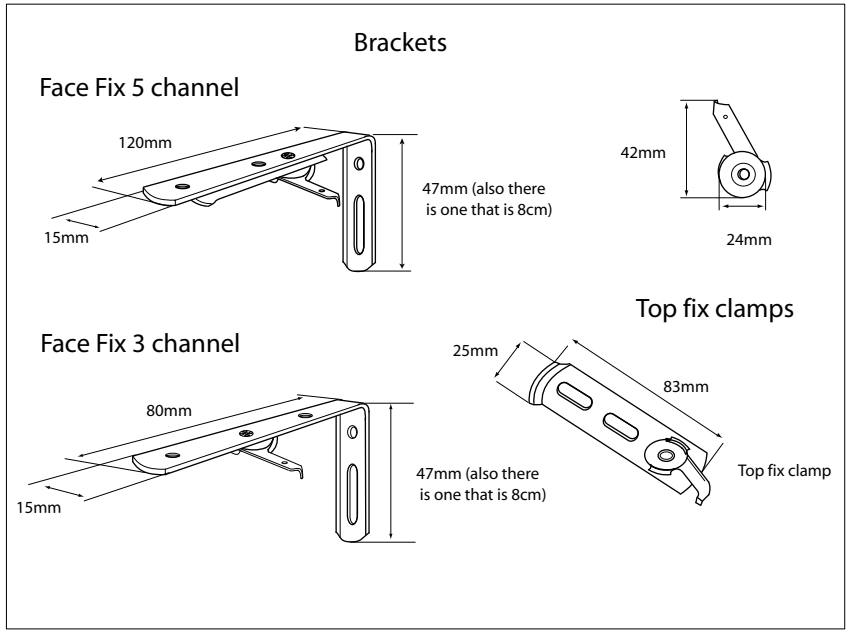
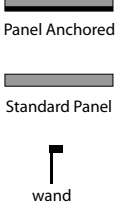


Kyoto System Information

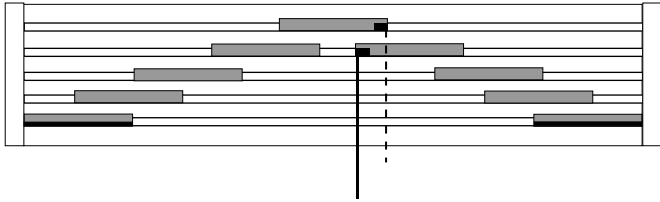
Size restrictions	Minimum Width	N/A						
	Maximum Width	5000mm						
	Minimum Height	N/A						
	Maximum Height	3000mm						
Wands	2 sizes only 1000mm & 1500mm (no cut downs)							
Size availability:	3 & 5 Channels							
	From the front of the headrail to the back of the 5 channel bracket 12cm (Face Fix)							
Fixing	<table border="1"> <tr> <td>Top Fix</td> <td>✓</td> </tr> <tr> <td>Side Fix</td> <td>✗</td> </tr> <tr> <td>Face Fix</td> <td>✓</td> </tr> </table>		Top Fix	✓	Side Fix	✗	Face Fix	✓
Top Fix	✓							
Side Fix	✗							
Face Fix	✓							
Face fixing brackets	1 to 50cm							



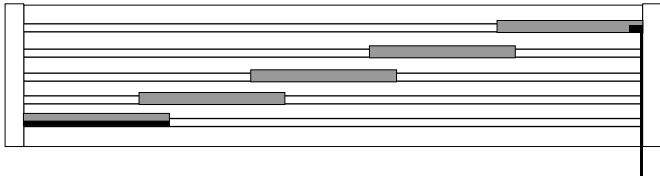
Additional information



Pair stacking (5 channel example)



Single stacking (5 channel example)



To work out panel width
 headrail + overlap
 x no of overlaps* ÷ no of panels
 * no of overlaps is always 1 less than the number of panels