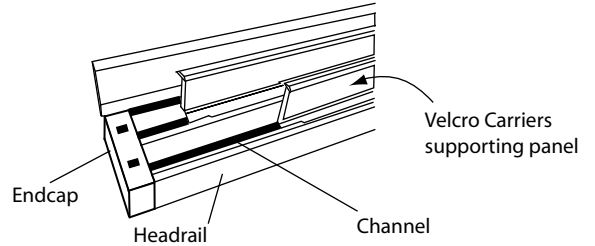
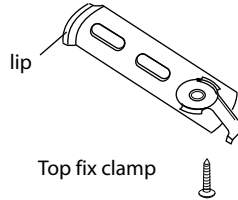
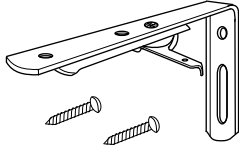


## 5 Channel - Kyoto Sliding Panel Fitting Instruction

Your Kyoto will be supplied with the appropriate brackets and screws.

### 1. Components

Face fix brackets  
(extension brackets available on request)



### 2. Top fixing brackets

For an even fix mark the ceiling or wall every 50cm as in illustration A, allowing at least 5cm from the wall for the rotations of the clamp.

As in illustration B ensure that the brackets nearest the end of the headrail are no less than 10cm from the end covers, this will help for a secure fix.

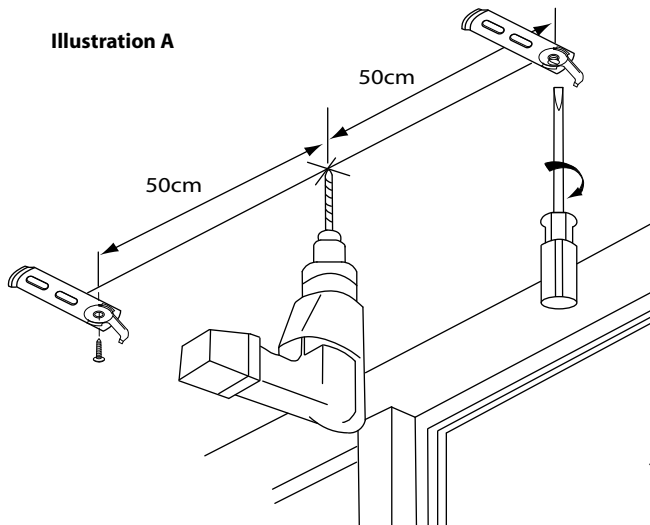
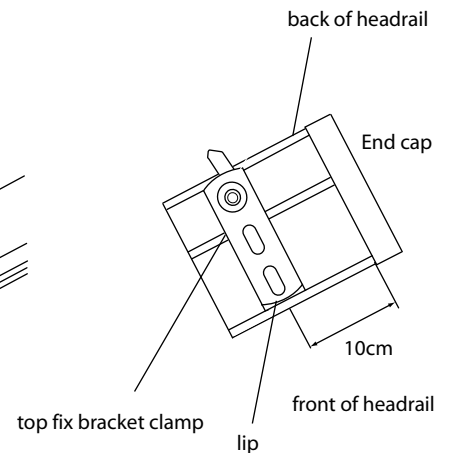


Illustration B



### 3. Attaching headrail

When the brackets are in place Align track onto clamps (placing the lip under the front of headrail - see illustration B in section 2. When in place rotate and fix track - see illustration A to the right.

### 4. Attaching Velcro<sup>®</sup> Panel

Fabric will be supplied rolled on a tube for protection. A strip of Velcro<sup>®</sup> will be attached to the back of the fabric. This is to be attach to the velcro carriers on the headrail, see illustration B.

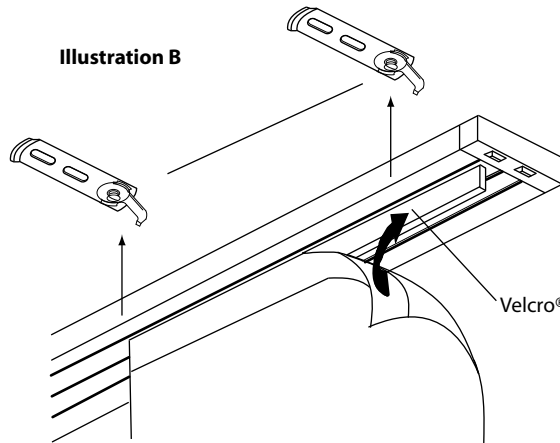


Illustration A

Illustration C

NB If fitting inside the recess always ensure tracks fits fully into recess to maximize stability.

Any queries do not hesitate to call 01843 608780