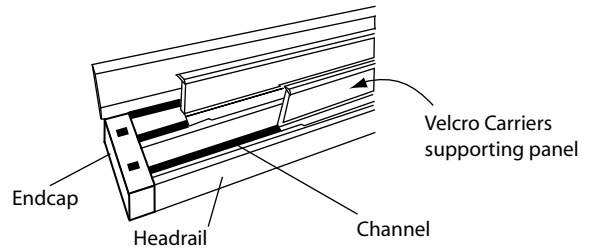
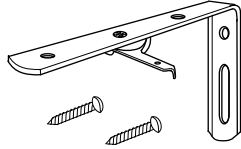


## 3 Channel - Kyoto Sliding Panel Fitting Instruction

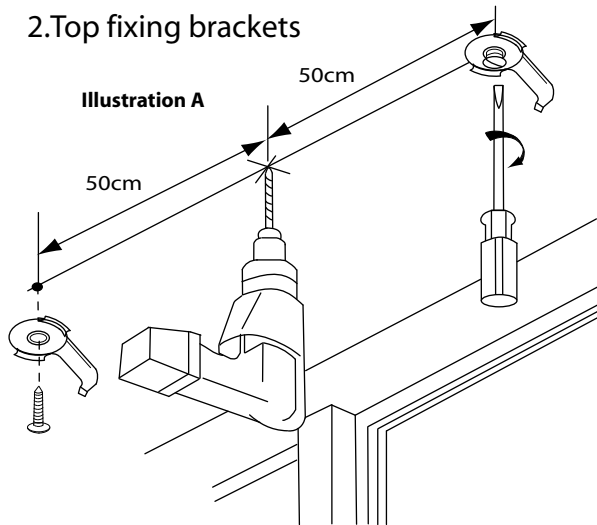
Your Kyoto will be supplied with the appropriate brackets and screws.

### 1. Components

Face fix brackets  
(extension brackets available on request)



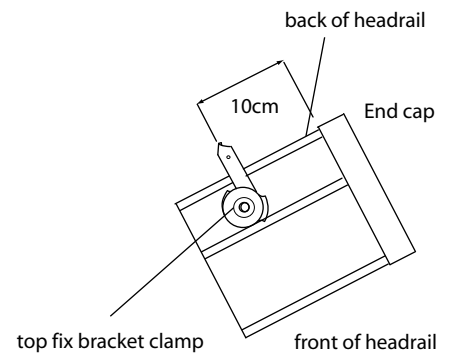
### 2. Top fixing brackets



For an even fix mark the ceiling or wall every 50cm as in illustration A, allowing at least 5cm from the wall for the rotations of the clamp.

As in illustration B ensure that the brackets nearest the end of the headrail are no less than 10cm from the end covers, this will help for a secure fix.

Illustration B

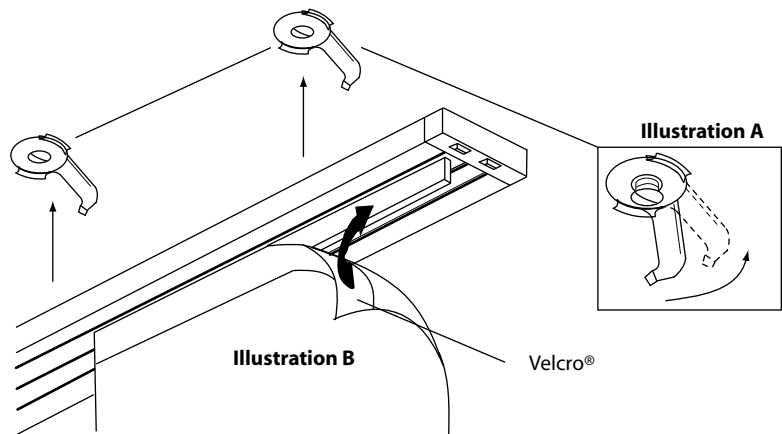


### 3. Attaching headrail

When the brackets are in place  
Align track onto clamps  
then rotate and fix track -  
see illustration A to the right.

### 4. Attaching Velcro® Panel

Fabric will be supplied rolled on a tube for protection. A strip of Velcro® will be attached to the back of the fabric. This is to be attached to the velcro carriers on the headrail, see illustration B.



NB If fitting inside the recess always ensure tracks fits fully into recess to maximize stability.

Any queries do not hesitate to call 01843 608780