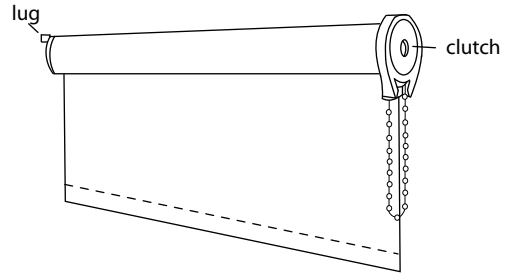
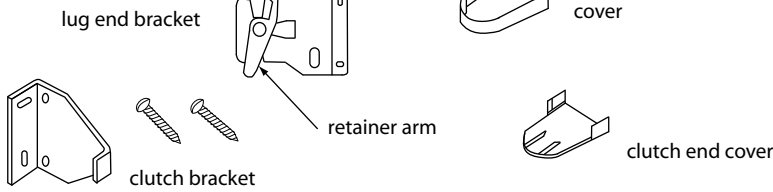


## Chain Operated Roller Blind Fitting Instructions

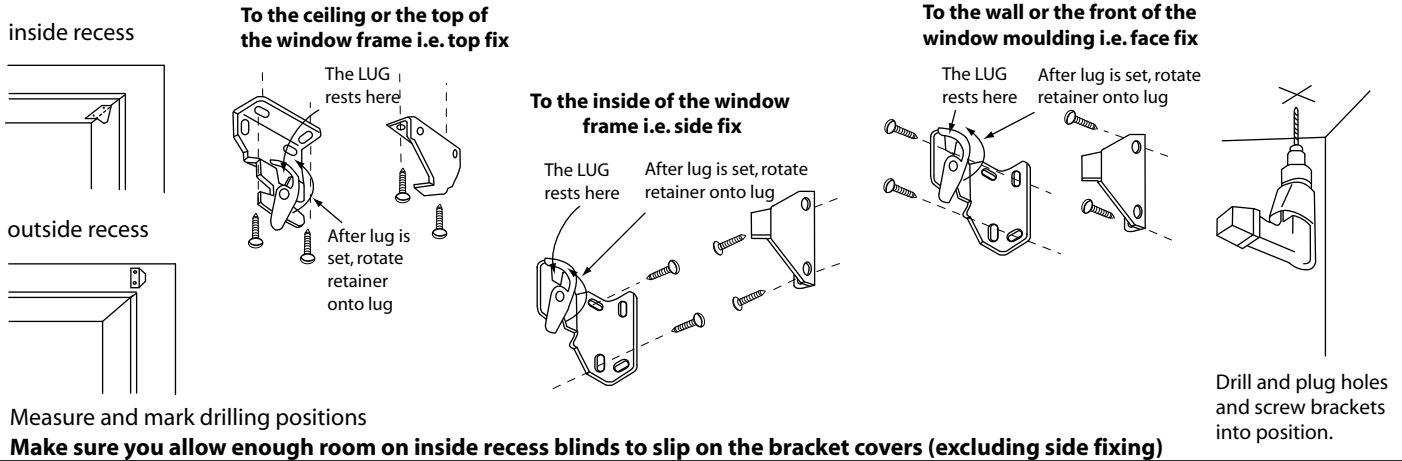
Your blind will be supplied with the appropriate brackets and screws.

### 1. Fixings



### 2. Fixing your brackets

Blinds will be supplied according to your order with left or right hand control. If the clutch is on the right handside of the blind, attach the brackets to the window frame, wall or ceiling, as shown below. If the clutch is on the left side end of the system, reverse bracket positions.

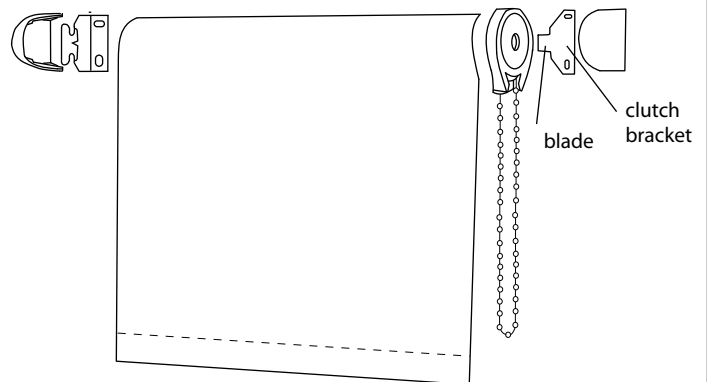


### 3. Installing your blind

Ensure that the brackets are secure then push the clutch straight onto the blade of its bracket as shown in the illustration on the right. The bottom of the clutch should always point straightdown.

Lower the lug end of the roller onto the V of its bracket. The roller should fit into the brackets securely (but not too tightly). Both bracket covers can now be attached.

**It is essential that both brackets are level, otherwise the coiling of the cloth will be affected.**



### 4. Use of the control chain to operate your blind

Pulling gently on the chain in one direction raises the blind, pulling it in the other direction lowers it.

On blinds where the fabric rolls towards the window, the front of the chain does the rise. On blinds where the fabric rolls towards the room the rear does the rolling.



## WARNING

PARENTS SHOULD KNOW THAT CHILDREN COULD ACCIDENTALLY STRANGLE IN WINDOW COVERING CORDS.  
KEEP CORDS OUT OF THE REACH OF CHILDREN

Any queries do not hesitate to call 01843 608780