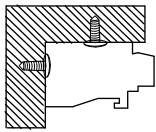


Reefer Blind Fitting Instructions

Your made to measure Reefer blind is supplied complete and ready to hang on the brackets supplied.

1. Fixing the blind

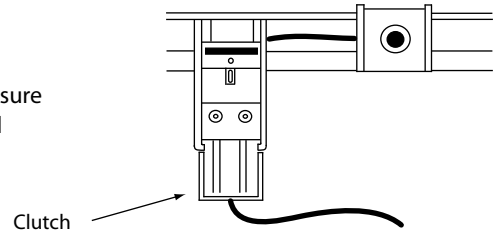
The brackets are designed to be used as either top fix (top of the window recess or ceiling) or face fix (wall or window frame).



In order to provide the stability for fixing or removing the rail it is essential that the brackets are fixed securely.

When fixing the brackets you must ensure that they do not coincide with the position of the cord guides. Use a metal tape measure to show where the cord guides will be positioned before marking the location of the brackets.

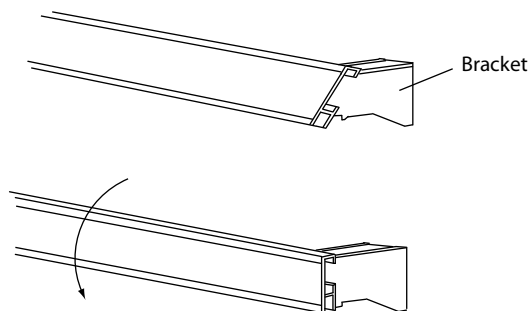
Ensure that the brackets at each end are fixed as close to the end of the rail as possible.



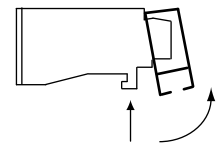
2. Before fixing the brackets consider the following

The upper lip of the Velcro[®] rail will be mounted from the top of the bracket. Insert the upper lip of the Velcro[®] rail profile and snap that rail onto the brackets. For wide or heavy blinds it is easier to start with the central bracket and work outwards.

To attach the rail



To detach the rail



Removal push upwards and forwards

3. To position the blind

Pull down on cords and secure at desired height to cleat provided.
The Reefer Blind is an informal blind. The cords may need re-adjusting from time to time.

4. Cleaning instructions

We recommend that you dry clean your Roman blind, especially when lined as washing may cause differential shrinkage between the fabric and the lining.



WARNING

PARENTS SHOULD KNOW THAT CHILDREN COULD ACCIDENTALLY STRANGLE IN WINDOW COVERING CORDS.
KEEP CORDS OUT OF THE REACH OF CHILDREN

Any queries do not hesitate to call 01843 608780