

Bottom-up Roller Blind Fitting Instructions

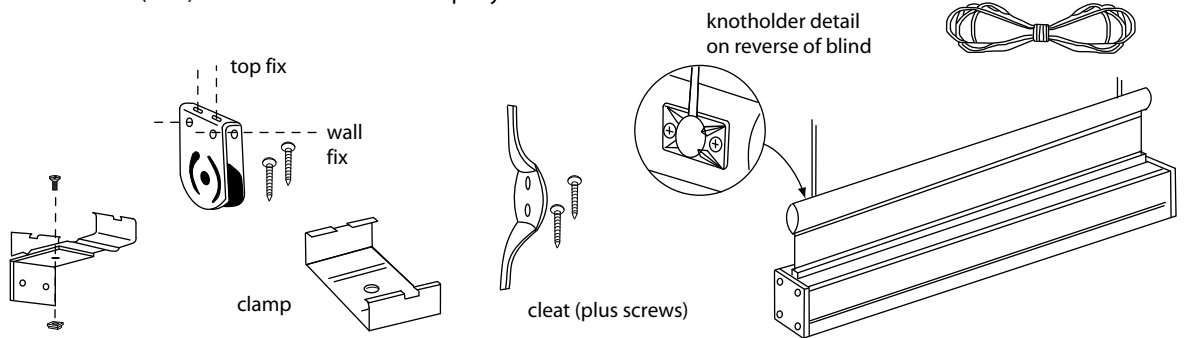
Your blind will be supplied with wall (face) or bottom fix brackets as per your order.

1. Components

2 x Pulley guides
(and screws capable of
being top or wall fixed)

Wall-fix clamp with
L-shape brackets

L-shape brackets



2. Fixing the Headbox

Wall (face) Fix

Attach the L- shape bracket to the clamps as shown above. We suggest fitting them 50mm either end of the recess - see illustration A. On blinds over 120cm you will be provided with a third bracket for fixing in the centre of the wall.

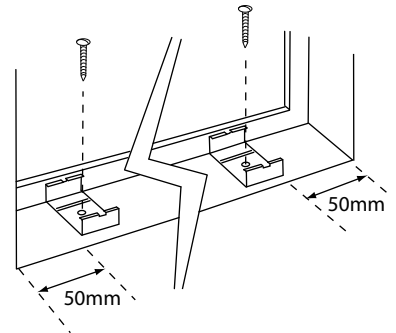
Place the front of the headbox into the clamp and snap the blind into position. Simply offer up the blind to the wall where you want to fit the blind. Mark with a pencil through the fixing holes of the L-shape section, drill and screw.

Bottom Fix

Clamps are supplied loose. Place the clamps on the window sill, we suggest fitting them 50mm from either end of the recess and on blinds over 120cm you will be provided with a third clamp for fixing in the centre of the window sill.

Pencil through the fixing holes, drill and screw. Place the front of the headbox into the bracket and snap the blind back into position.

Illustration A



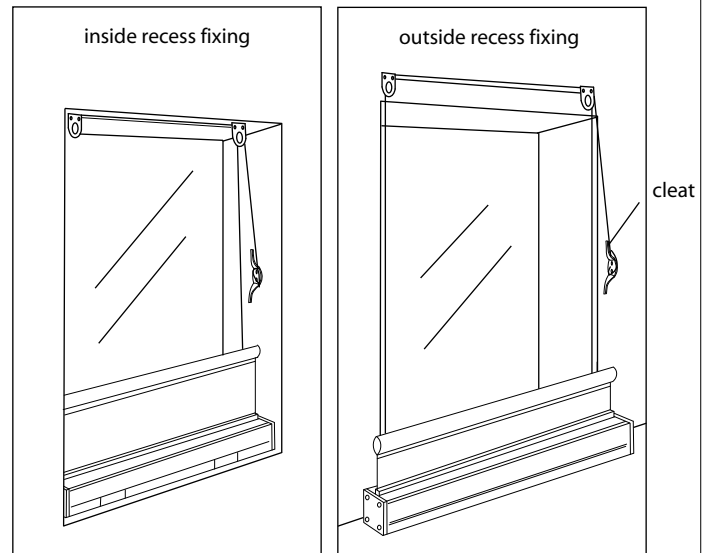
3. Fixing the pulley guides and cleat hook

- The 2 pulley guides supplied can be fixed inside the recess (to the ceiling) or outside the recess (to the wall) depending on how you fixed your headbox - see opposite. Please ensure that when attaching pulleys they align with the knot holders on the reverse of the blind. This will prevent the blind rolling up unevenly.
- Drill and screw the pulley guides at the given distance in from headbox to the first hole of the pulley guide - see chart below. This measurement is dependent on left or right hand operation.

	RH Pulley	LH Pulley
Right Hand Controlled	50mm	45mm
Left Hand Controlled	45mm	50mm

- Attach the cleat hook to the inside or outside of the recess at the preferred height.

PLEASE SEE OVER FOR FURTHER FITTING INSTRUCTIONS



WARNING

PARENTS SHOULD KNOW THAT CHILDREN COULD ACCIDENTALLY STRANGLE IN WINDOW COVERING CORDS.
KEEP CORDS OUT OF THE REACH OF CHILDREN

Any queries do not hesitate to call 01843 608780

Bottom-up Roller Blind Fitting Instructions

4. Cording the blind (for right hand controlled blinds)

a) Slightly loosen the screws of the left hand knotholder attached to the reverse of the blind. Insert one end of the cord provided through the front of the knotholder, tie a knot and trim off to fit neatly in the knotholder. Re-attach the knotholder, tightening the screws.

b) Guide the cord up and then through the left hand side of the left hand pulley guide. Follow the cord across to the right hand pulley and thread through. Pull the cord down the right hand side of your window, creating a loop around the cleat you have previously fitted, before returning back up through the right hand side of the right hand pulley.

Then, simply return the cord to the right hand side of the blind. If you are happy with the length of your operation cord (loop), insert the cord through the front of the knotholder (as before). Tie a knot, cut through the end of the cord and tighten the screws.

Cording the blind (for left hand controlled blinds)

Begin by attaching the cord to the right hand knotholder and cord the blind in the opposite direction to a) and b) on the left, replacing the word 'left' with 'right' and vice versa.

5. To re-tension the blind (may not be necessary)

The spring in the headbox should already be tensioned. If adjustment is required, follow these instructions.

If the blind rolls down too quickly, use a screwdriver to press and turn the screw on the right hand side of the box in an anticlockwise direction. If the blind rolls down too slowly or not far enough, press and turn the screw in a clockwise direction.



WARNING

PARENTS SHOULD KNOW THAT CHILDREN COULD ACCIDENTALLY STRANGLE IN WINDOW COVERING CORDS.
KEEP CORDS OUT OF THE REACH OF CHILDREN

Any queries do not hesitate to call 01843 608780